

Other easy-to-make projects from
Carter Holt Harvey Woodproducts Australia
ask for them at your local Stylewood distributor



Distributor

**STYLEwood®**

Easy-to-make 2 Shelf Bookcase



Easy-to-make 2 Shelf Bookcase

PROJECT MATERIALS LIST

Component	Material	Quantity	Finished Size
Inner top, mid shelf, top shelf	Stylewood DAR	3 lengths	290 x 19 x 800mm
Sides	Stylewood DAR	2 lengths	290 x 19 x 750mm
Base & outer top	Stylewood DAR	2 lengths	290 x 19 x 900mm
Spacer for outer top	Stylewood DAR	1 length	42 x 19 x 900mm
Bottom shelf supports	Stylewood DAR	2 lengths	70 x 19 x 800mm
Back	Pine Ply	1 sheet	900 x 900 x 3.6mm
Screws	Countersunk Rib Head Chipboard	14pcs of 45mm x 8g	
Screws	Countersunk Rib Head Chipboard	20pcs of 28mm x 8g	
Screws	Countersunk Rib Head Chipboard	6pcs of 16mm x 6g	
PVA Adhesive	-	To glue all joints	

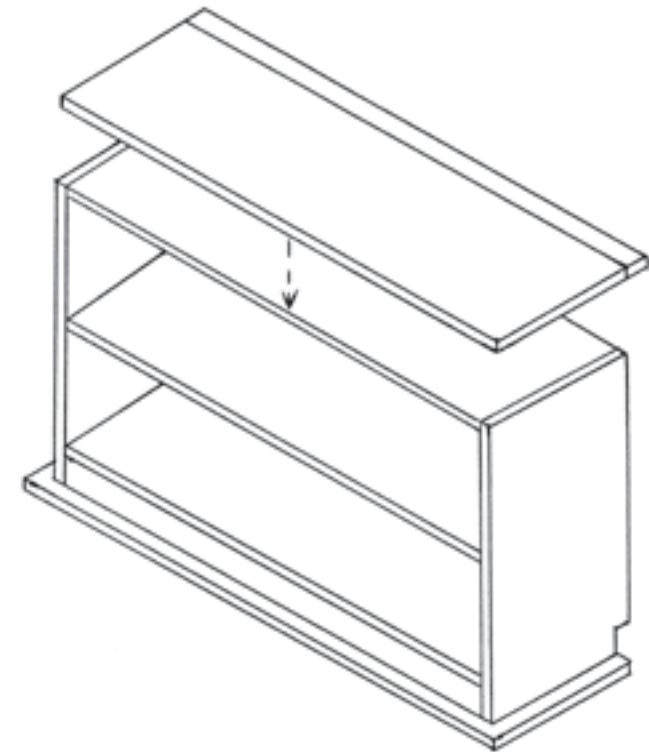
TOOLS YOU WILL NEED FOR THE JOB

Electric/hand saw • Drill and bits • Square • Router (optional)



STEP-BY-STEP INSTRUCTIONS

- STEP 1. Cut all pieces to length, making sure all cuts are square.
- STEP 2. Cut a piece from bottom rear of side panels 70mm high x 20mm wide to allow unit to sit over skirting board.
- STEP 3. Screw bottom shelf supports, bottom shelf, mid shelf and inner top in place. Glue all joints.
- STEP 4. Route base and outer top for decorative effect if required.
- STEP 5. Screw base and outer top in place using 28mm screws (screw outer top from under inner top). 42 x 19 Spacer should be attached flush with back of unit.
- STEP 6. Cut ply to fit back of unit and fix with 16mm screws.
- STEP 7. Countersink screws and fill with woodfill putty, sand smooth and apply your choice of timber finishes.



Safety warning: Inhalation of dust generated from processing Stylewood may cause irritation and sensitisation by inhalation (asthma) and by skin contact (dermatitis). Repeated inhalation of wood dust increases the risk of nasal cavity cancer and of lung fibrosis (scarring). Do not breathe dust, wear a respirator if using power tools. Phone 132 321 for a Material Safety Data Sheet.