

How to Build a Picket Fence

Tools You Will Need

Tool list : Hammer, Adjustable spanner, string lines, tape measure, circular saw, level

Site preparation

Ensure that the site for the proposed structure is free of debris, and you have a clean, clear working area.

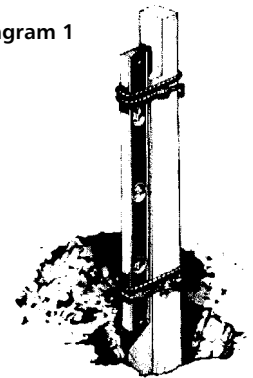
Stringline the fence

Place a stringline the entire length of the fence, approximately 50mm above the ground (Exclude any driveway gates or openings).

Digging the post holes

Mark out the post holes using the Post centre value (supplied with the Design Solutions quote). If you have had a minor design change, another simple way is to measure the entire length of the fence and divide it by the quantity of posts you have for the job minus 1. Once the holes have been marked, dig all post holes and place posts in holes. Set the posts level (Diagram 1) and concrete in place, making sure that all posts are the same distance away from the stringline.

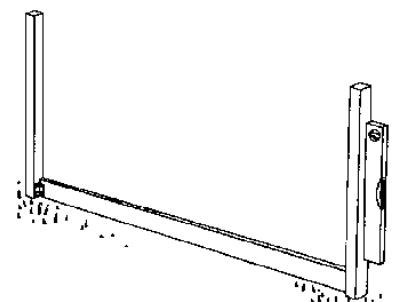
Diagram 1



Attaching the plinth board

If you are using a plinth board, measure the exact distance between the posts and trim the first plinth board to match. Repeat this step for all post spacings to make sure each plinth fits perfectly. Fix the plinth in place using the supplied brackets and fixings (2).

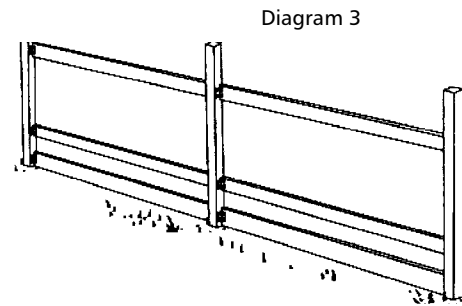
Diagram 2.



How to Build a Picket Fence (cont.)

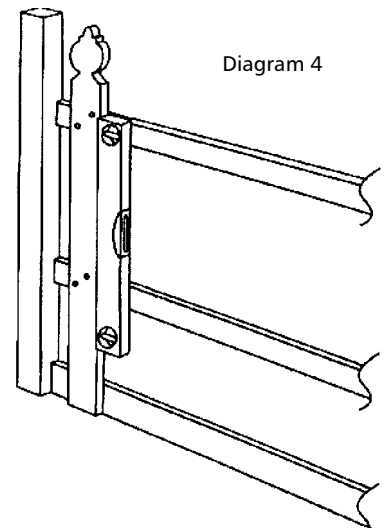
Attaching the rails (Diagram 3)

Make sure when installing the lower rail that the bottom edge is no higher than 150mm above the bottom edge of the picket and mark this measurement on each post. Using the supplied nails, fix the rail brackets into place and drop rail into place and fix. The top edge of the top rail should be no lower than 150mm below the top of the lowest picket. Transfer this measurement to the posts and fix rail bracket and rail into place. When using more than two rails, measure the distance between the rails and evenly space the remaining rails. Repeat these steps for all other post spaces. Do not cut all rails at once, you will find some will not be the right length if the posts are not the exact same distance apart.



Attaching the pickets

To work out the exact picket spacing, use the following calculation. ("The exact distance between the posts" - "The number of pickets used to fill the space between posts multiplied by the width of the picket"). Take the result of this equation and divide it by the number (plus 1) of pickets you are using. EG exact post spacing is 2100, number of pickets used between posts is 21, and the width of the pickets are 70mm. The calculation for exact picket spacing is: $2100 - 1470 = 630$, $630/22 = 28\text{mm}$ spacings. If you use this equation exactly, the next thing to do is to mount one picket tightly against both posts. Making sure the pickets are square, fix into place with supplied screws or nails. Now, make up a spacer that is the exact width of the picket spacing and attach the rest of the pickets.



Trimming the posts

Using a circular saw (handsaw will suffice if you have no access to a circular saw), trim the posts to the desired height (normally the same height as the pickets next to the posts).